

Product Catalog

MSHCX080 Network IP Camera



Microseven Systems, Inc.

Walnut, California 91789, USA



First Edition (April 2008)

Copyright Notice

Copyright © 2002-2008 Microseven Systems, Inc.
All Rights Reserved.

Microseven Systems, Inc. provides this product catalog “as is” without warranty of any kind, either express or implied, including, but not limited to the implied warranties of merchantability and fitness for a particular purchase. Microseven Systems, Inc. may make improvements and/or changes in the product(s) and/or the program(s) described in this manual at any time and without notice.

This publication could contain technical inaccuracies or typographical errors. Changes are made periodically to the information herein; these changes will be incorporated in new editions of this publication.

Microseven Systems, Inc.

*675 Brea Canyon Road, Suite 12
Walnut, California, USA*



<i>TEL</i>	<i>(909) 598 – 8553</i>
<i>FAX</i>	<i>(909) 598 – 1415</i>
<i>Email</i>	support@microseven.com
<i>Website</i>	www.microseven.com

Trademarks

Any product names used herein are for identification purposes only and may be trademarks of their respective companies. Microseven is a registered trademark of Microseven Systems, Inc.

Notes:

Please read the following label before connecting or operating the equipment.

	CAUTION RISK OF ELECTRIC SHOCK DO NOT OPEN	
<p>Notes: Please not move the cover (or back) to reduce the danger of electric shock. No part inside can be repaired by users. Refer servicing to qualified personnel.</p>		



The exclamation point within an equilateral triangle is intended to alert the user to the presence of important operating and maintenance (servicing) instructions in the literature accompanying the appliance.



The lightning flash with arrowhead symbol, within an equilateral triangle, is intended to alert the user to the presence of exposed wiring within the product's enclosure that may be of sufficient magnitude to constitute a risk of electric shock to people.

The serial number of this product can be found on the top of the unit. Please note the serial number of this unit in the space provide and retain this book as a permanent record of your purchase to aid identification in the event of theft.

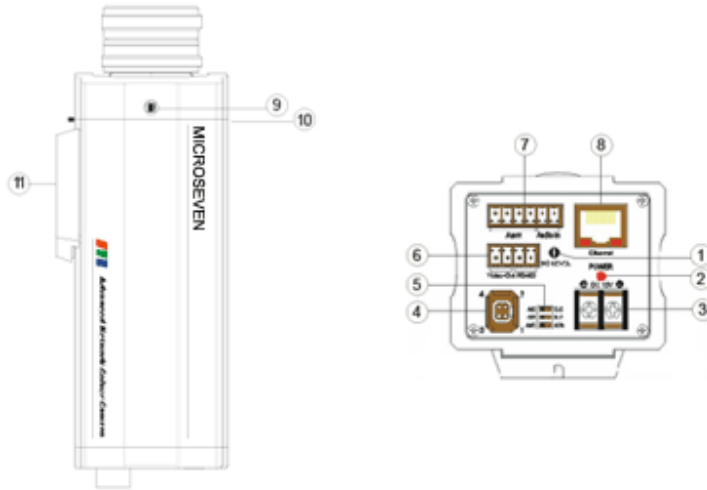
Model: _____

Product Ne: _____

Contents

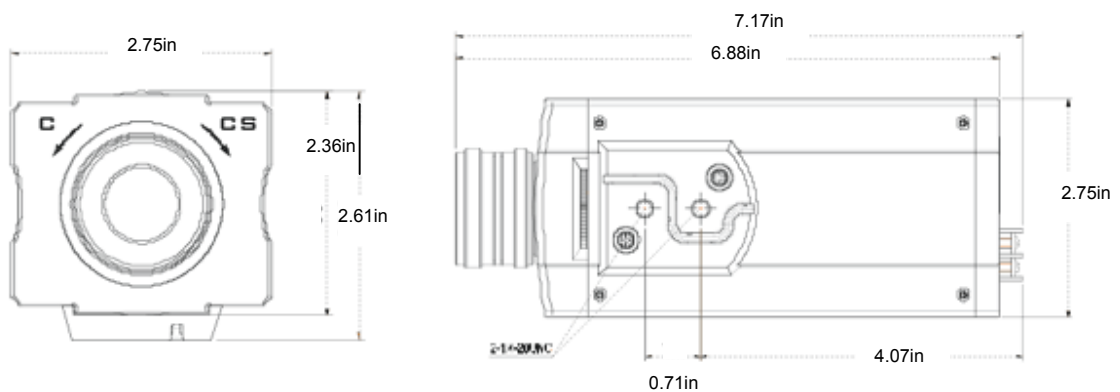
1. Component	5
2. Appearance	5
3. System Chart	6
4. Key Feature	6
5. Specification	7

1. Component

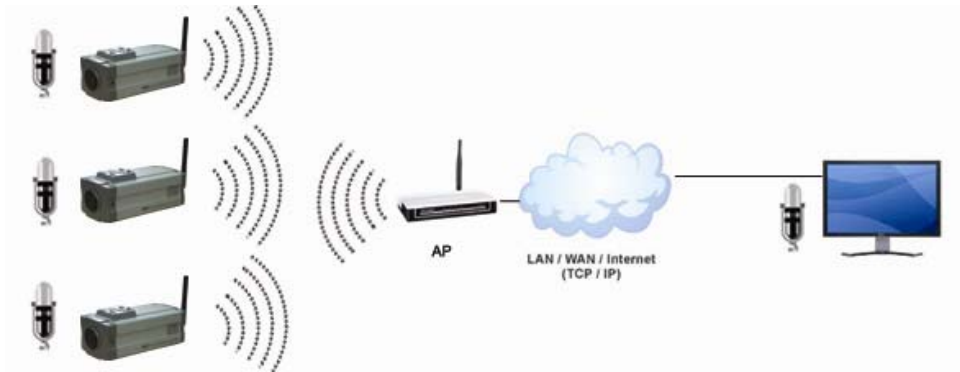


- | | |
|--|------------------------------|
| ① DC drive adjusting variable resistor | ⑦ Audio & alarm connector |
| ② Power indicator | ⑧ Network port |
| ③ Power input DC12V | ⑨ Flange-back fixing screw |
| ④ Auto iris connector | ⑩ Flange-back adjusting ring |
| ⑤ Function select switch | ⑪ Fixed splint |
| ⑥ Video output & RS485 connector | |

2. Appearance



3. System Chart



4. Key Features

- Adopt H.264 compression format, up to D1 image quality; realize NTSC/PAL switch, with max frame rate: 30fps (NTSC) and 25fps (PAL), bit stream: 100Kbps-3Mbps.
- Powerful software function: provide network video server hardware as well as total software solution.
- Provide SDK interface to realize multi-system integration, easy for second development for more functions.
- Digital matrix function: can realize common analog matrix functions like switch & setup auto switch time etc. Special keyboard can be connected to the network, controlled speed domes and switched images;
- Unique video decoding function: can decode the data package of network camera to composite video signal, and display it on monitors.
- Provide a RS422 interface, more compatibility.
- Intercom function, can realize site to remote client-end intercom by audio I/O of network camera.
- Built-in web server can see the images from anywhere through client side software or IE browser as well as capture and record the surveillance images.
- Flexible visit mode: one end to multi-end, multi-end to one end.
- Motion detection alarm, I/O status alarm and LOGO update alarm function, with 12x16 detecting areas & 9 level sensitivity ;When the moving objects are discovered in set areas, an alarm signal will be transmitted to appointed client-end through network, image capturing & recording or other relevant actions can be set.
- Built in multi network protocol: Support TCP/IP protocol, allow data sending and receiving by WAN or LAN.
- Built-in Linux operation system.
- With IEEE 802.11b/g standard wireless transmit capability and Ethernet port, improves flexibility of installation evidently.
- Supports dual-stream, can select different saving code ratio and remote transmit ratio according to demand.

5. Specification

Model	MSHCX080
Pick-up Device	1/3"CCD
Scanning Area	4.89mm (H) × 3.67mm (V)
Pixels	795(H)×597(V)PAL 768(H)×494(V) NTSC
Horizontal Resolution	480 Lines
Minimum Illumination	F1.2, 0.1Lux
Scanning	625 Lines/50 Fields/25 Frame(PAL) 525 Lines/60 Fields/30 Frame(NTSC)
Horizontal	15.625KHz (PAL), 15.750KHz (NTSC)
Vertical	50Hz(PAL), 60Hz(NTSC)
Image / Audio Compression Standard	H.264 / G.711
Resolution	QCIF: 176 * 144 (PAL), 176*120 (NTSC) CIF: 352 * 288 (PAL), 352*240 (NTSC) H-D1: 720 *288 (PAL), 360*480 (NTSC) D1: 720 * 576 (PAL), 720*480 (NTSC)
Frame Rate	25fps(PAL), 30fps (NTSC)
Stream	100Kbps ~ 3Mbps, CBR/VBR adjustable
Character Superimpose	Support character and time superimpose
Motion Detecting	12x16 detecting areas and 9 levels adjustable sensitivity
Network Interface	1 RJ-45, 10M/100M self-adaptable
Network Protocol	TCP/IP,UDP/IP,HTTP,IGMP,ICMP,TELNET,WIFI,FTP,DDNS,DNS,PPPOE,DHCP
IE Application	Built-in Web Server, allows IE browsing and image controlling
Network Time Check	Provide the interface for network time check
Equipment Search	Support equipment searching by Ethernet broadcasting
User Administration	Provide multi-level user administration
Built-in Watchdog	Timing detection of chips & software work status, auto system reset
Remote Reposition	Realize remote reset through network
Compressed Code Rate/ Wireless function	32Kbps / IEEE 802.11b/g standard
Working Temperature	-10°C ~ +50°C
Working Humidity	≤95%
Power Source	DC12V, 2A