

# Product Catalog

MSH-CD080W Wireless Dome Network IP Camera



**Microseven Systems, Inc.**

Walnut, California 91789, USA



## First Edition (April 2008)

### Copyright Notice

Copyright © 2002-2008 Microseven Systems, Inc.  
All Rights Reserved.

Microseven Systems, Inc. provides this product catalog “as is” without warranty of any kind, either express or implied, including, but not limited to the implied warranties of merchantability and fitness for a particular purchase. Microseven Systems, Inc. may make improvements and/or changes in the product(s) and/or the program(s) described in this manual at any time and without notice.

This publication could contain technical inaccuracies or typographical errors. Changes are made periodically to the information herein; these changes will be incorporated in new editions of this publication.

*Microseven Systems, Inc.*

*675 Brea Canyon Road, Suite 12  
Walnut, California, USA*



<i>TEL</i>	<i>(909) 598 – 8553</i>
<i>FAX</i>	<i>(909) 598 – 1415</i>
<i>Email</i>	<a href="mailto:support@microseven.com">support@microseven.com</a>
<i>Website</i>	<a href="http://www.microseven.com">www.microseven.com</a>

### Trademarks

Any product names used herein are for identification purposes only and may be trademarks of their respective companies. Microseven is a registered trademark of Microseven Systems, Inc.

Notes:

Please read the following label before connecting or operating the equipment.

	<b>CAUTION</b> RISK OF ELECTRIC SHOCK DO NOT OPEN	
<p>Notes: Please not move the cover (or back) to reduce the danger of electric shock. No part inside can be repaired by users. Refer servicing to qualified personnel.</p>		



The exclamation point within an equilateral triangle is intended to alert the user to the presence of important operating and maintenance (servicing) instructions in the literature accompanying the appliance.



The lightning flash with arrowhead symbol, within an equilateral triangle, is intended to alert the user to the presence of exposed wiring within the product's enclosure that may be of sufficient magnitude to constitute a risk of electric shock to people.

The serial number of this product can be found on the top of the unit. Please note the serial number of this unit in the space provide and retain this book as a permanent record of your purchase to aid identification in the event of theft.

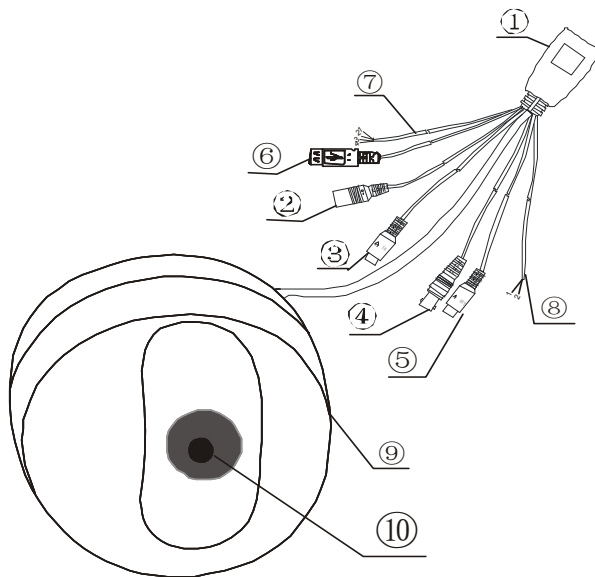
Model: \_\_\_\_\_

Product Ne \_\_\_\_\_

## Contents

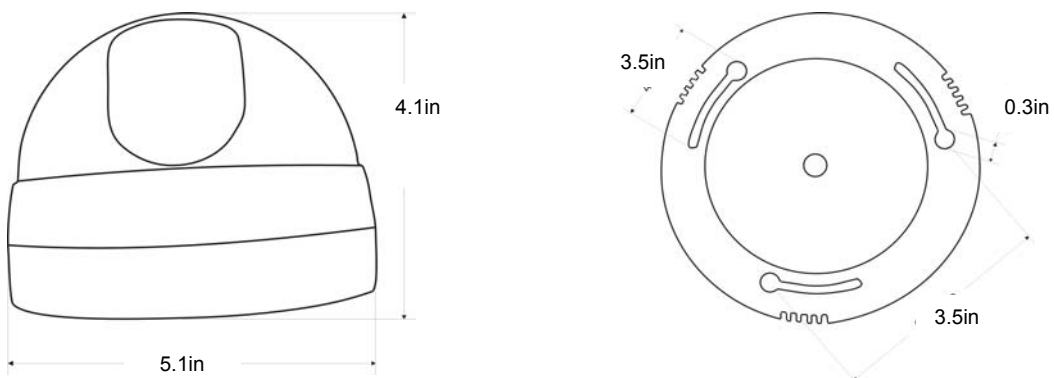
<b>1. Component</b>	.....	5
<b>2. Appearance</b>	.....	5
<b>3. System Chart</b>	.....	6
<b>4. Key Feature</b>	.....	6
<b>5. Specification</b>	.....	7

## 1. Component

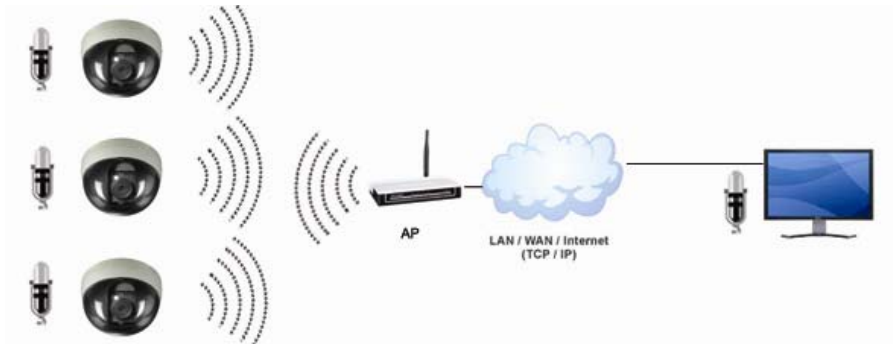


- |                            |                   |
|----------------------------|-------------------|
| ① Network socket/plug      | ⑧ RS485 interface |
| ② Power supply terminal    | ⑨ Housing         |
| ③ Audio input terminal     | ⑩ Lens            |
| ④ Video output terminal    |                   |
| ⑤ Audio output terminal    |                   |
| ⑥ USB interface            |                   |
| ⑦ Alarm input/output cable |                   |

## 2. Appearance



### 3. System Chart



### 4. Key Features

- Adopt H.264 compression format, up to D1 image quality; realize NTSC/PAL switch, with max frame rate: 30fps (NTSC) and 25fps (PAL), bit stream: 100Kbps-3Mbps.
- Powerful software function: provide network video server hardware as well as total software solution.
- Provide SDK interface to realize multi-system integration, easy for second development and more functions.
- Digital matrix function: can realize common analog matrix functions like switch & setup auto switch time etc. Special keyboard can be directly connected to the network, controlled speed domes and switched images;
- Unique video decoding function: can decode IP video data to composite video signal by decoder, and display it on monitors.
- Intercom function, can realize site to remote client-end intercom by audio I/O of network camera.
- Built-in web server can see the images from anywhere through client side software or IE browser as well as capture and record the surveillance images.
- Flexible visit mode: one end to multi-end, multi-end to one end.
- Motion detection alarm, I/O status alarm and LOGO update alarm function, with 12x16 detecting areas & 8 level sensitivity ;When the moving objects are discovered in set areas, an alarm signal will be transmitted to appointed client-end through network, image capturing & recording or other relevant actions can be set.
- Built in multi network protocol: Support TCP/IP protocol, allow data sending and receiving by WAN or LAN.
- Built-in Linux operation system.
- With IEEE 802.11b/g standard wireless transmit capability and Ethernet port, improves flexibility of installation evidently.
- Supports dual-stream, can select different saving code ratio and remote transmit ratio according to demand.
- Dual-channel output for analog & digital signal.

## 5. Specification

<b>Model</b>	MSH-CD080W
<b>Pick-up Device</b>	1/3" SONY Super HAD CCD
<b>Pixels</b>	795(H) × 597(V)
<b>Horizontal Resolution</b>	480 Lines
<b>Minimum Illumination</b>	0.5Lux
<b>Scanning Area</b>	4.9 mm (H) x 3.7 mm (V)
<b>Scanning Mode</b>	625 Lines/50 Fields/25 Frame(PAL) 525 Lines/60 Fields/30 Frame(NTSC)
<b>Horizontal/Vertical</b>	15.625KHz/50Hz (PAL), 15.750KHz /60Hz(NTSC)
<b>Scanning Mode</b>	2.1 interline scanning
<b>Video Output</b>	1.0V[p-p] Composite Video Signal/75Ω,
<b>Image / Audio Compression Standard</b>	H.264 / G.711
<b>S/N Ration</b>	≥ 48dB (AGC OFF, Weight On)
<b>AGC</b>	≥ 18dB
<b>ELC</b>	1/120S
<b>Synchronization Mode</b>	Internal/Power supply synchronization selectable
<b>Lens</b>	8mm, 4mm/6mm optional
<b>F Coefficient</b>	F2.0/2.5
<b>Video/Audio Compression Standard</b>	H.264 / G.711
<b>Resolution</b>	QCIF: 176 * 144 (PAL), 176*120 (NTSC) CIF: 352 * 288 (PAL), 352*240 (NTSC) H-D1: 720 *288 (PAL), 360*480 (NTSC) D1: 720 * 576 (PAL), 720*480 (NTSC)
<b>Frame Rate</b>	25 fps (PAL), 30 fps (NTSC)
<b>Character Superimpose</b>	Support character and time superimpose
<b>Motion Detection</b>	12x16 detecting areas and 9 levels sensitivity
<b>Network Interface</b>	1 RJ-45, 10M/100M self-adjustable
<b>Network Protocol</b>	TCP/IP, UDP/IP, HTTP, FTP, ICMP, Telnet, IGMP, PPPOE, DDNS, DNS, DHCP
<b>IE Application</b>	Built-in web server, allows IE browsing and controlling
<b>Network Time Check</b>	Provide the interface for network time check
<b>Equipment Search</b>	Support equipment searching by Ethernet broadcasting
<b>User Administration</b>	Provide multi-level user administration
<b>Built-in Watchdog</b>	Timing detection of chips & software work status, auto system reset
<b>Remote Reposition</b>	Realize remote reposition through network
<b>Audio Input</b>	1 channel, RCA interface, single track

<b>Audio Sampling Rate</b>	8KHz
<b>Compressed Code Rate</b>	32Kps
<b>Wireless Function</b>	IEEE 802.11b/g wireless module
<b>Built-in Storage</b>	SD card built-in storage (SD card sold seperately)
<b>Temperature/Humidity</b>	- 10°C - +50°C, ≤ 95%
<b>Power Supply</b>	DC 12V, 2A
<b>Dimensions/Weight (with lens)</b>	Φ5.1 in X 4.1 in (H) / 0.95lb.